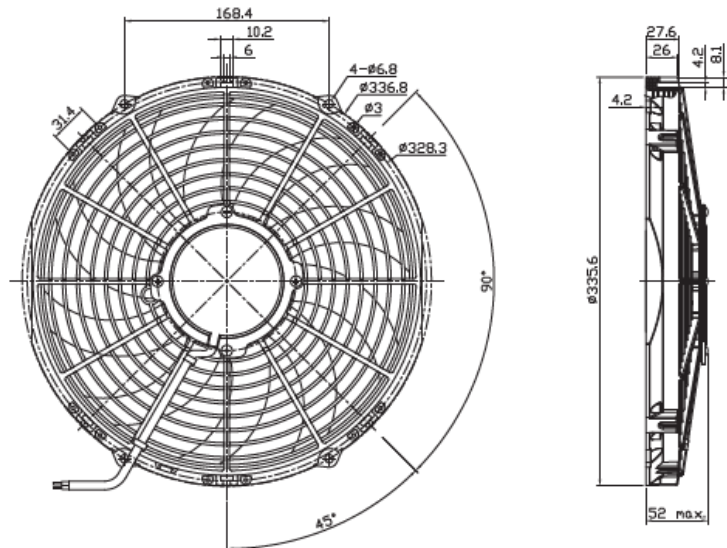


High Performance Axial Fans



(mm)

Features

- High Performance
- Low Profile
- EMC Compliance version available
- IP68 Protection
- RoHS Compliant
- Long Life Motor
- Various Mounting Brackets for Option
- Customization available for special performance and specifications

Specification

P/N	Size	Voltage	Air Flow Direction	Air Flow (m ³ /h)	Air Flow (cfm)	Current Input (A)	Motor Type
EF-5S06A	305 mm (12")	12V	suction (pull)	1733	1021	7.5A±0.5	FM-6011
EF-5S06B		12V	blowing (push)	1733	1021	7.5A±0.5	FM-6011
EF-5S06C		24V	suction (pull)	1761	1038	4.0A±0.3	FM-6012
EF-5S06D		24V	blowing (push)	1761	1038	4.0A±0.3	FM-6012

Remark

1. All measurements in metric system
2. Airflow figures shown are measured at st static pressure 0 mm/in. H₂O, detailed airflow curve for each part number is available on request
3. Airflow 1m³/h =0.59 cfm
4. Test voltage- 12V at 13.5V, 24V at 27V